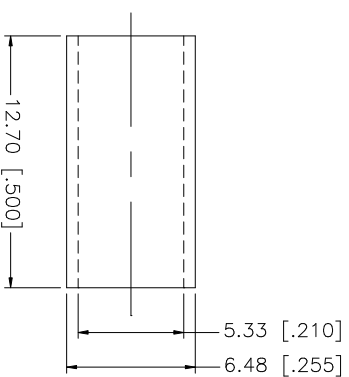
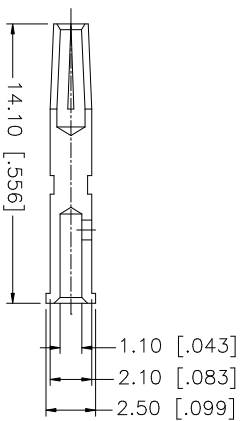
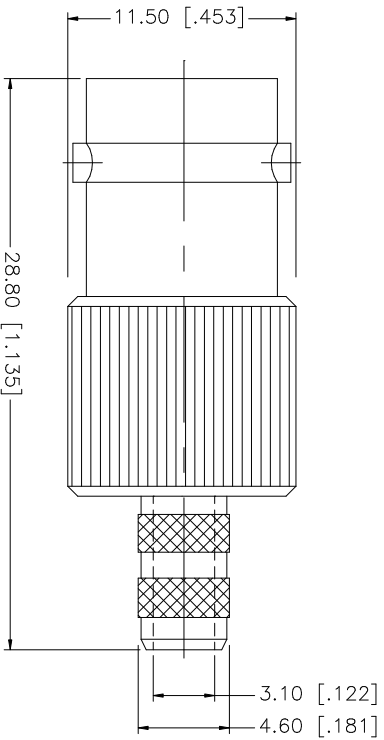
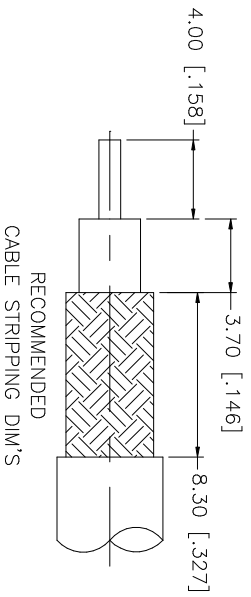


REV.	DATE	DESCRIPTION
A	01/04/04	UPDATE DRAWING FORMAT



NOTE:

1. CRIMPED FERRULE
HEX CRIMP SIZE .213"
2. CRIMPED CONTACT PIN
HEX CRIMP SIZE .068"

QTY	FINISH	MATERIAL	DESCRIPTION
1	NICKEL	COPPER	FERRULE
1	GOLD	PHOS. BRONZE	CONTACT PIN
1	NATURAL	TEFLON	INSULATOR
1	NICKEL	BRASS	HOUSING/BODY

APPROVALS	DATE
DRAWN G.R.S.	01/04/04
CHECKED	
ISSUED	
SHEET 1 OF 1	

PART DESCRIPTION	PART NO.
BNC CRIMP JACK (FOR RG-58C/U CABLE) 50 ohms	112144

DO NOT SCALE DRAWING	CAD FILE	DWG. NO.	REV.	SIZE	SCALE
	C:/112/112144.DWG	112144.DWG	A	A	NA

Amphenol **Comnex**

BNC CRIMP JACK
(FOR RG-58C/U CABLE) 50 ohms